

# **WIRED TENSION LINK**

## **4-20mA, 0-10V OUTPUT**



# Tension Link Specification and Features

- Standard Capacity: 10K, 25K, 50K, 75K, 100K, 150K, 250K lbs
- Safe overload: 200% capacity
- Ultimate overload: 400% capacity (meets ASME 26-6)
- Accuracy: 0.1 to 0.5% full scale 2-pt point calibration
- Protection: IP 67
- Operating Temperature: -40°C to 80°C
- Compensated Operating Temperature: -10°C to 40°C
- Alloy steel with Electroless Nickel Plating

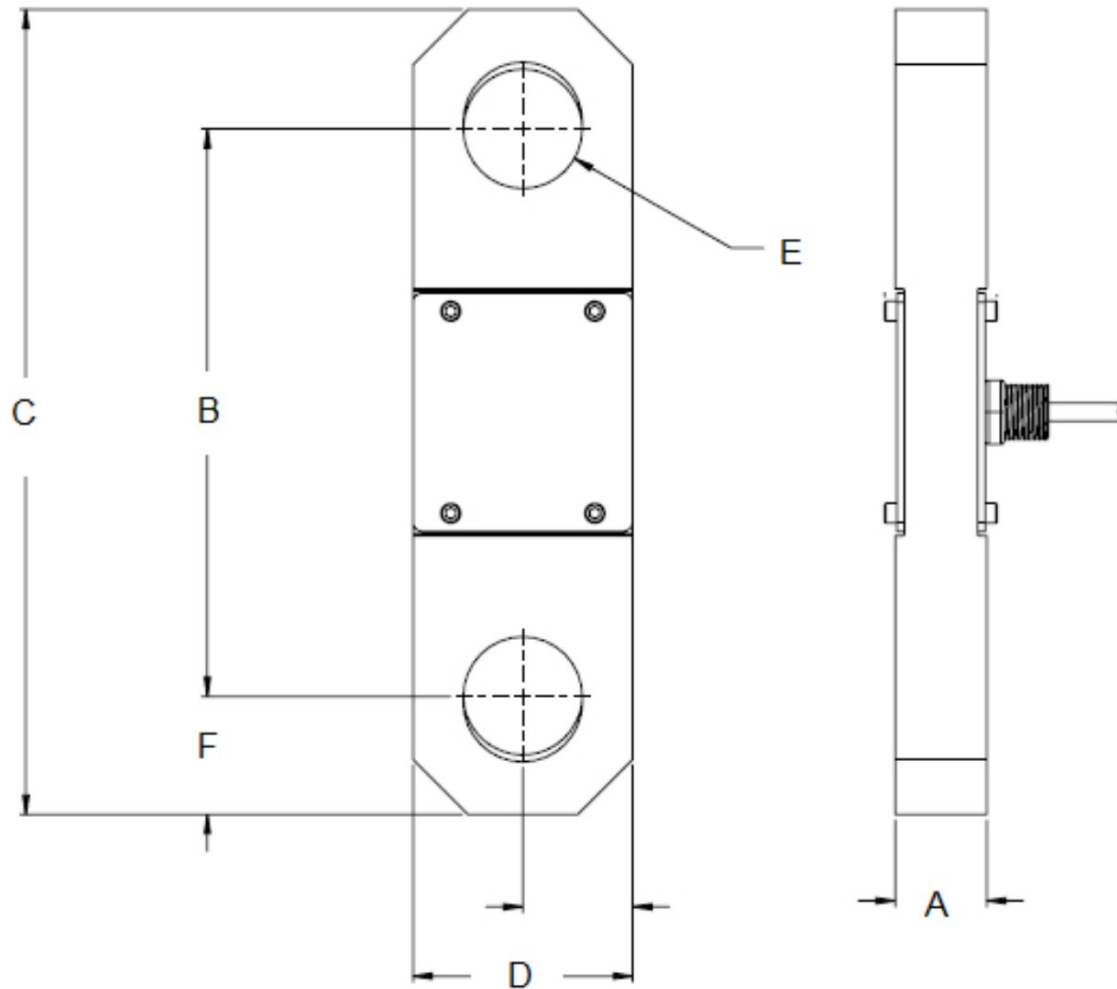
## 4-20mA Output

- Standard calibration setting: 4mA at 0 lbs, 20mA at capacity
- 3-wire 4-20mA  
Wire color assignment: Red = Vs+, Black = Vs-, Green = Ao+
- Vs+ input range: 13V to 28V. Typical 24V
- Operating temperature: -40°C to 85°C
- Reverse polarity protection: -30V
- Option: Amphenol connection  
Pin A = Vs+, Pin B = Vs-, Pin C = Ao+

## 0-10V Output

- Standard calibration setting: 0.1V at 0 lbs, 10.1V at capacity
- 3-wire 0-10V  
Wire color assignment: Red = Vs+, Black = Vs-, Green = Ao+
- Vs+ input range: 13V to 28V. Typical 24V
- Operating temperature: -40°C to 85°C
- Reverse polarity protection: -30V
- Option: Amphenol connection  
Pin A = Vs+, Pin B = Vs-, Pin C = Ao+

# Tension Link Dimension



All Tension Links						
Capacity	A	B	C	D	E	F
10K	1.250 (31.75)	7.500 (190.50)	10.000 (254.00)	3.000 (76.20)	1.125 (28.58)	1.250 (31.75)
25K	1.250 (31.75)	7.750 (196.85)	11.000 (279.40)	3.000 (76.20)	1.625 (41.28)	1.625 (41.28)
50K	1.625 (41.28)	8.500 (215.90)	12.750 (323.85)	3.625 (92.08)	2.125 (53.98)	2.125 (53.98)
75K	1.875 (47.63)	9.375 (238.13)	14.250 (361.95)	4.500 (114.30)	2.375 (60.33)	2.438 (61.93)
100K	1.940 (49.28)	9.375 (238.13)	14.750 (374.65)	5.000 (127.00)	2.375 (60.33)	2.688 (68.28)
150K	2.438 (61.93)	11.000 (279.40)	17.500 (444.50)	6.750 (171.45)	2.875 (73.03)	3.250 (82.55)
200K	2.940 (74.68)	11.000 (279.40)	19.500 (495.30)	7.440 (188.98)	3.375 (85.73)	4.25 (107.95)
250K	2.940 (74.68)	14.000 (355.60)	22.750 (577.85)	8.500 (215.90)	3.875 (98.43)	4.375 (111.13)

# WIRELESS TENSION LINK WIRELESS ANALOG OUTPUT





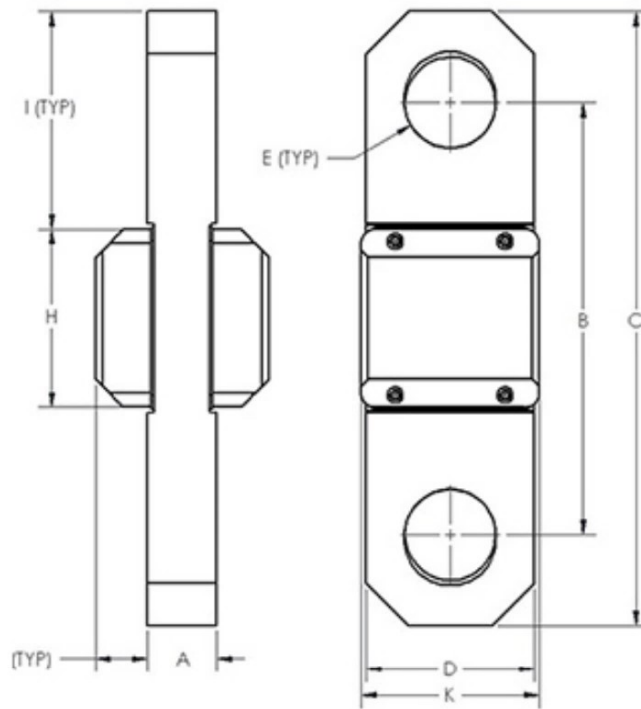
# Tension Link Specification and Features

- Standard Capacity: 10K, 25K, 50K, 75K, 100K, 150K, 250K lbs
- Safe overload: 200% capacity
- Ultimate overload: 400% capacity (meets ASME 26-6)
- Accuracy: 0.1% full scale multi-point calibration
- Protection: IP 67
- Operating Temperature: -20°C to 55°C
- Compensated Operating Temperature: -10°C to 40°C
- Alloy steel with Electroless Nickel Plating
- Operates at 2.4 GHz
- Radio module FCC, CE, IC Approved
- Battery life of 2 months (2x AA, @8 hrs/day use)
- Long range of up to 800 m

## WL-T24-AO1i Wireless Analog Output

- Configurable output: 4-20mA, 0-20mA, 0-5V, 0-10V, +/-5V, +/-10V
- 4 wire connection:  
Red = Vs+, Black = Vs-, Green = Iout+/Vout+, White = Iout-/Vout-
- Vs+ input range = 9 to 32V (Typical 12V)
- Reverse polarity voltage = - 32V
- Operation LED indicators
- Configurable alarm settings
- Operating current = 100mA (typical)
- Protection: IP 67
- Operating Temperature: -20°C to 55°C
- Operates at 2.4 GHz
- Radio module FCC, CE, IC Approved
- Dimension: 6.45" (L) x 3.30" (W) x 2.24" (H)
- Option: WL-T24-BSu  
(user configuration using T24Tool Kit software)

# Tension Link Dimension



All Tension Links						
Capacity	A	B	C	D	E	F
10K	1.250 (31.75)	7.500 (190.50)	10.000 (254.00)	3.000 (76.20)	1.125 (28.58)	1.250 (31.75)
25K	1.250 (31.75)	7.750 (196.85)	11.000 (279.40)	3.000 (76.20)	1.625 (41.28)	1.625 (41.28)
50K	1.625 (41.28)	8.500 (215.90)	12.750 (323.85)	3.625 (92.08)	2.125 (53.98)	2.125 (53.98)
75K	1.875 (47.63)	9.375 (238.13)	14.250 (361.95)	4.500 (114.30)	2.375 (60.33)	2.438 (61.93)
100K	1.940 (49.28)	9.375 (238.13)	14.750 (374.65)	5.000 (127.00)	2.375 (60.33)	2.688 (68.28)
150K	2.438 (61.93)	11.000 (279.40)	17.500 (444.50)	6.750 (171.45)	2.875 (73.03)	3.250 (82.55)
250K	2.940 (74.68)	14.000 (355.60)	22.750 (577.85)	8.500 (215.90)	3.875 (98.43)	4.375 (111.13)

Wireless Only			
H	I	J	K
3.188 (80.98)	3.406 (86.51)	0.875 (22.23)	3.188 (80.98)
3.188 (80.98)	3.906 (99.21)	0.875 (22.23)	3.188 (80.98)
3.188 (80.98)	4.781 (121.44)	0.875 (22.23)	3.188 (80.98)
3.188 (80.98)	5.159 (131.04)	1.000 (25.4)	3.188 (80.98)
3.188 (80.98)	5.781 (145.84)	1.000 (25.4)	3.188 (80.98)
3.188 (80.98)	7.156 (181.76)	1.000 (25.4)	3.188 (80.98)
3.188 (80.98)	9.781 (248.44)	1.000 (25.4)	3.188 (80.98)

# Calibrated to Matching Crosby Shackle Pin Diameter

- 10K : 0.89" G-2130-4.75T
- 25K : 1.40" G-2130-12T
- 50K : 2.04" G-2130-25T
- 75K : 2.30" G-2130-35T
- 100K : 2.25" G-2140-55T
- 150K : 2.76" G-2140-85T
- 250K : 3.76" G-2130-120T



Pin diameter



# APPLICATIONS

- **MINING**



- **MANUFACTURING**
- **FABRICATION**



- **AUTOMOTIVE**



- **MARINE**



- **CONSTRUCTION**

