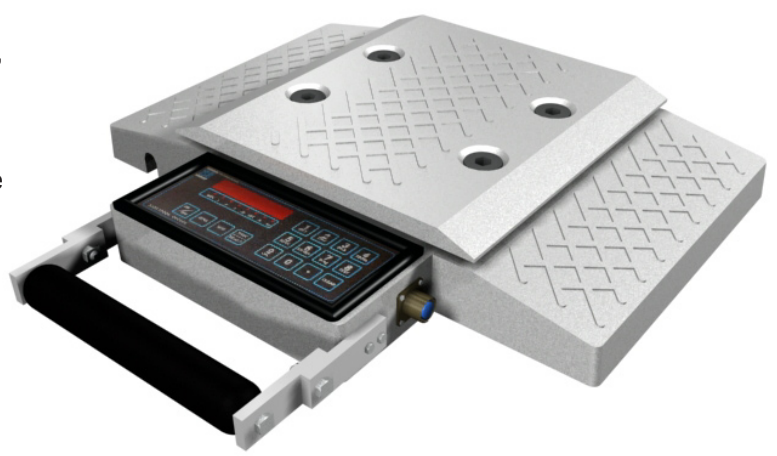


Weighing as little as 40 lbs., Massload Standard Wheel Load Scales are convenient, portable, and versatile. Constructed of high strength aluminium, these fully electronic pads will provide years of reliable, maintenance free service.

They are available as an LED Master Wheel Load Scale with integrated indicator or as a Slave Wheel Load Scale without indicator. Versatility is greatly enhanced as the weigh pads can be used individually or in pairs. Using a simple interconnect cable creates a master/slave pair combination!

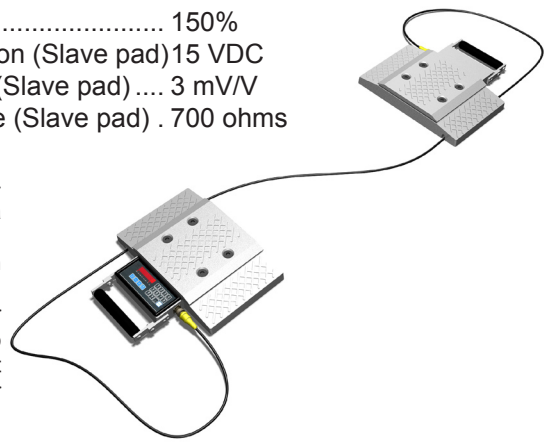
With a pair of pads recessed, they can be used as an accurate axle scale weigher. Two, four, or six pads can be hooked up for precise weighing of multiple axle vehicles or as a portable platform scale.



Performance Specifications:

- Capacities 10,000lbs or 20,000 lbs
- Loadcells 2 - ML600 double-ended shearbeam
- Graduations 10lb (10,000lbs)
20lb (20,000lbs)
- Accuracy 0.25% FS
- Safe Overload 150%
- Maximum Excitation (Slave pad) 15 VDC
- Full scale Output (Slave pad) 3 mV/V
- Output Resistance (Slave pad) . 700 ohms

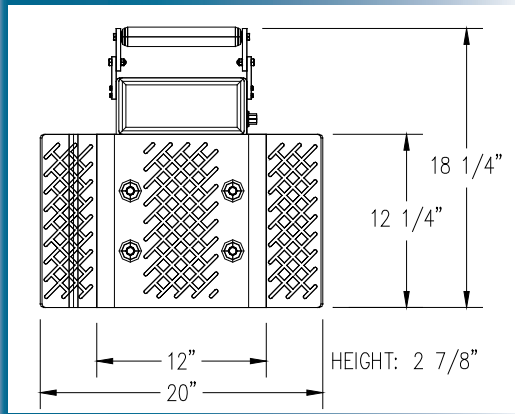
Shown is a Master/Slave combination connected by a water tight amphenol cable. View weight on either pad, or the total of the 2 pads. Other combinations are also available. Contact Massload for further details.



ML600 Loadcell Specifications:

- Safe overload 150%
- Full Scale Output 3mv/V ± .25%
- Maximum Excitation 15 VDC
- Non-Linearity <0.03% FS
- Hysteresis <0.02% FS
- Non-Repeatability <0.01% FS
- Thermal Sensitivity Shift 0.0008% of reading/°F
- Thermal Zero Shift 0.0015% FS/°F
- Barometric Effect NIL

Dimensions:



Features:

- Operating Temp Range -20°C to +60°C
- Compensated Temp Range -10°C to +40°C
- Lightweight construction allows single person setup and operation.
- Low height means low ramp angle and a high degree of accuracy.
- Wide platform will accommodate dual tires easily and safely.
- M2000 digital readout will automatically sum axle weights.
- Non-skid pattern ensures maximum grip in wet or snowy conditions.
- Exclusive 2 year warranty on the loadcells.
- Readings in either kilograms or pounds.
- LED display ensures high visibility in all conditions - including sub zero.
- Sealing to IP-65 (LED Model): totally protected from dust; protected from low pressure jets of water from all directions; limited water entrance allowed.