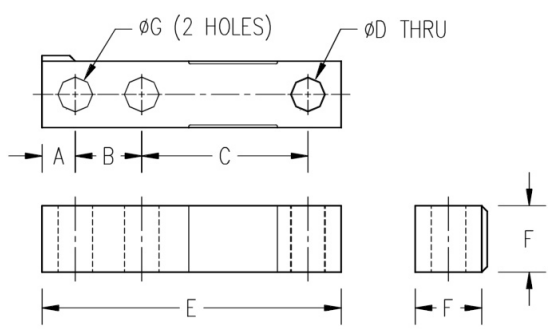


- Capacities:**  
 1,000 lbs (450 kg)  
 2,000 lbs (900 kg)  
 2,500 lbs (1100 kg)  
 4,000 lbs (1,800 kg)  
 5,000 lbs (2,250 kg)  
 10,000 lbs (4,500 kg)  
 20,000 lbs (9,000 kg)

The GN100 single ended shearbeam is a versatile loadcell. It can be used as the weigh sensor in a variety of different applications including floor scales, blenders, hoppers, and tank scales. Using Massloads various weighing assemblies, it can be used for nearly any weighing situation.

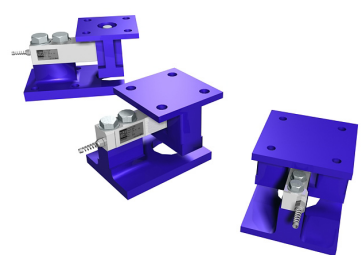
**Performance Specifications**

Safe Overload	150%
Full Scale Output	3mv/V +/- .25% FS
Maximum Excitation	15 VDC
Non-Linearity	<0.03% FS
Hysteresis	<0.02%FS
Non-Repeatability	<0.01% FS
Thermal Sensitivity Shift	0.0008% of reading/°F
Thermal Zero Shift	0.0015% FS/°F
Barometric Effect	NIL
Bridge Resistance	350 Ω
Operating Temp Range	-50°C to +80°C
Compensated Temp Range	-10°C to +40°C
Sealing Standard	IP-67



Be assured of accurate and reliable weighing using the GN100.

This cell is available in stainless steel or nickel plated alloy steel.



Capacity	A		B		C		D	E		F		G	
	in	mm	in	mm	in	mm		in	mm	in	mm	in	mm
1K=1000lb													
1K - 4K, 5K SE	0.63	16	1.00	25	3.00	76	1/2"-20 UNF	5.13	130	1.25	32	0.53	13
5K - 10K	0.75	19	1.50	38	3.75	95	3/4"-16 UNF	6.75	171	1.50	38	0.78	20
20K	1.00	25	2.00	51	4.75	121	1"-14UNF	8.75	222	2.00	51	1.03	26